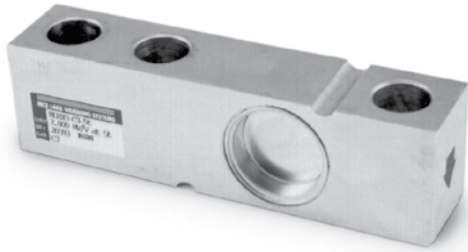
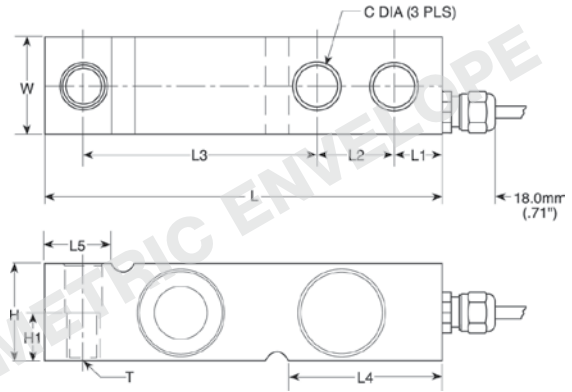


**RLHTO** Single-Ended Beam, Stainless Steel, Hermetically sealed, IP66/68, OIML C3



Picture is a representation of actual product



**SPECIFICATIONS**

<p><b>Full Scale Output:</b> 2.0m-V/V</p> <p><b>Output Resistance:</b> 350 ohms, +/- 3</p> <p><b>Input Resistance:</b> 380 ohms, +/- 10</p> <p><b>Material/Finish:</b> Stainless steel</p> <p><b>Temperature:</b> Compensated range 14°F to 104°F/-10°C to 40°C</p>	<p><b>Safe Overload:</b> 150% Full scale</p> <p><b>Sate Sideload:</b> 100% Full</p> <p><b>Rated Excitation:</b> 10V DC (15V maximum)</p> <p><b>Total Error:</b> 0.02% Applied Load</p> <p><b>Insulation Resistance:</b> 2000 megohms</p>	<p><b>Deflection at Capacity:</b> 500-5000 kg= .4 mm/.015 in</p> <p><b>Seal Type:</b> Hermetically sealed, IP66/68</p> <p><b>Cable Length:</b> 5 m/16.4 ft</p> <p><b>Cable Diameter:</b> .220 polyurethane jacket</p>	<p><b>Cable Color Code:</b> Blue .....+ Excitation Black.....- Excitation Green .....+ Sense Grey .....- Sense White .....+ Signal Red .....- Signal</p> <p><b>Warranty:</b> Two-year limited warranty</p> <p><b>Approvals:</b> </p>
---	--	---	--

**DIMENSIONS**

RATED CAPACITY	C	H	H1	L	L1	L2	L3	L4	L5	T	W
<b>lb/inches</b>											
1102.3-4409.2	.53	1.26	.63	5.12	.62	1.00	3.00	1.99	.93	M12 X 1.75.	1.26
11,023.1	.80	1.89	—	6.75	.75	1.50	3.75	2.76	1.46	—	1.44
<b>kg/mm</b>											
500-2000	13.5	32.0	16.0	130.0	15.8	25.4	76.2	50.5	23.5	M12 x 1.75.	32.0
5000	20.5	48.0	—	171.5	19.0	38.1	95.3	70.0	37.0	—	36.5

**INTERCHANGEABLE PRODUCTS**

LOAD RATING	PART #	PRICE
C3 500 kg (1102.5 lb)	31253	Consult
C3 1000 kg (2205.0 lb)	31250	Consult
C3 2000 kg (4410.0 lb)	31251	Consult
C3 5000 kg (11,025.0 lb)	31252	Consult

**INTERCHANGEABLE PRODUCTS**

MANUFACTURER	MODEL	PAGE #
VPG Tedeo-Huntleigh	3510 kg	326

**WEIGH MODULE AVAILABLE**

MANUFACTURER	MODEL	PAGE #
Rice Lake Weighing Systems	1700HE	34

RICE LAKE WEIGHING SYSTEMS